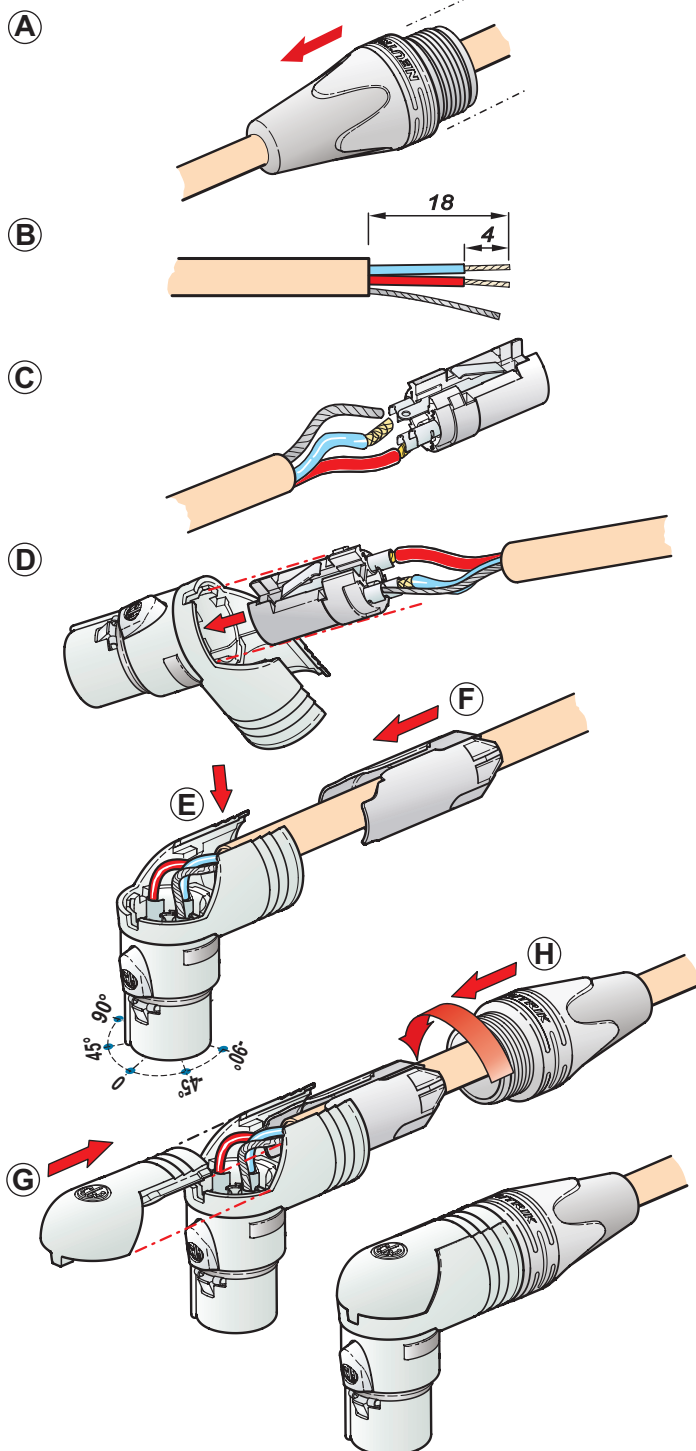




# ASSEMBLY INSTRUCTION

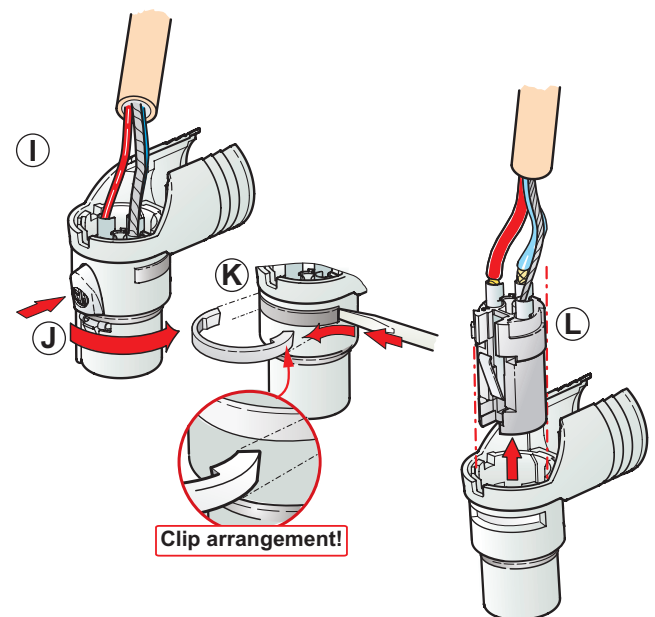
## NC\*FRX & NC\*MRX | XLR Cable Connector



- (A)** Slide the boot onto the cable.
- (B)** Prepare cable as shown.
- (C)** Insert wires into the terminals and solder them.
- (D)** Slide insert into the housing until it snaps in.  
**Align insert with housing.**
- (E)** Position the cable.
- (F)** Slide the chuck into the housing.  
**Pay attention to position chuck as shown.**
- (G)** Position the cover.  
**Before place the cover choose the orientation of cable outlet by turning housing.**
- (H)** Finish the installation by turning the bushing onto the connector.

### Disassembly of the insert

- (I)** Remove cover and chuck.
- (J)** Push latch and turn housing approx. a half turn until housing can be separated.
- (K)** Lift the locking clip by help of a screw driver.
- (L)** Remove insert.



NEUTRIK AG  
NEUTRIK Zürich AG  
NEUTRIK USA Inc.  
NEUTRIK (UK) Ltd.

LI T: +423 / 237 24 24 F: +423 / 232 53 93  
CH T: +41 44 / 736 5010 F: +41 44 / 736 5011  
USA T: +1 732 / 901 9488 F: +1 732 / 901 9608  
UK T: +44 1983 / 811 441 F: +44 1983 / 811 439

NEUTRIK Vertriebs GmbH  
NEUTRIK France  
NEUTRIK Tokyo Ltd.  
NEUTRIK Hong Kong Ltd.

DE/NL/AT T: +49 8131 / 280 890 F: +49 8131 / 280 830  
FR T: +33 1 / 4131 6750 F: +33 1 / 4131 0511  
JP T: +81 3 / 3663 4733 F: +81 3 / 3663 4796  
HK T: +852 / 2687 6055 F: +852 / 2687 6052